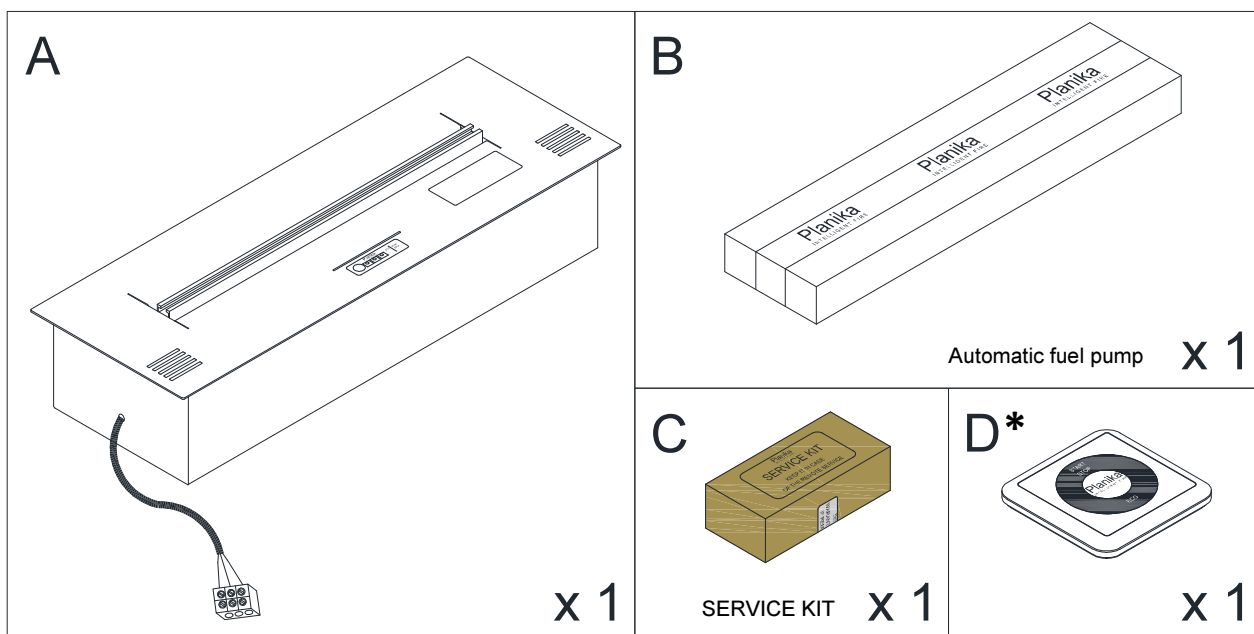
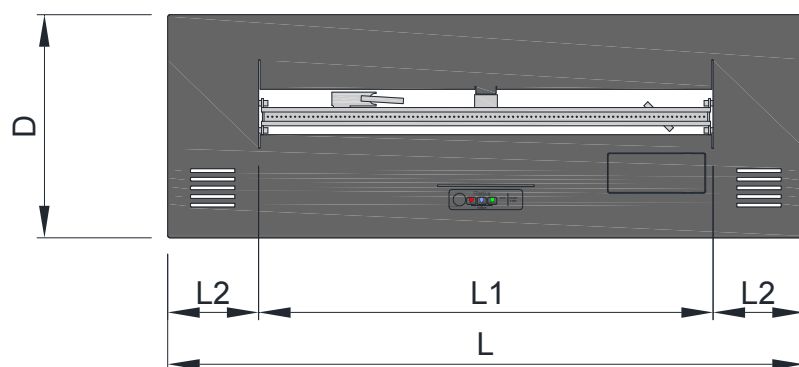
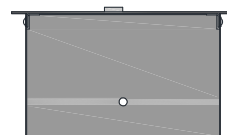
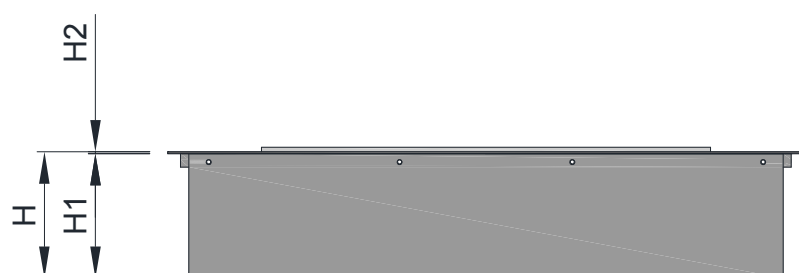


INSTALLATION MANUAL

PrimeFire#4 PrimeFire#4 REMOTE



* only REMOTE



	[mm]	[""]
H	139	5 1/2
H1	137	5 3/8
H2	2	1/16
L	700	27 9/16
L1	500	19 11/16
L2	100	3 15/16
D	245	9 5/8

Fixed unit's weight
= 15 kg / 33,07 lb

Manufactured by:

Planika Sp. z o.o.
ul. Bydgoska 38
86-061 Brzoza
Poland

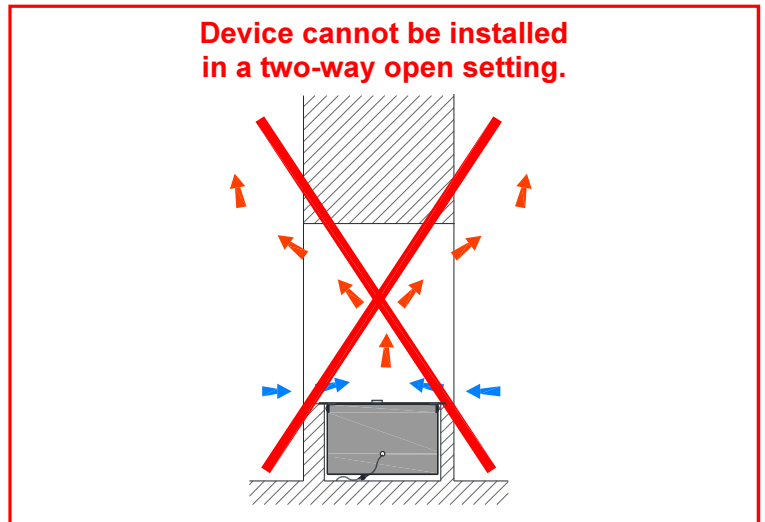
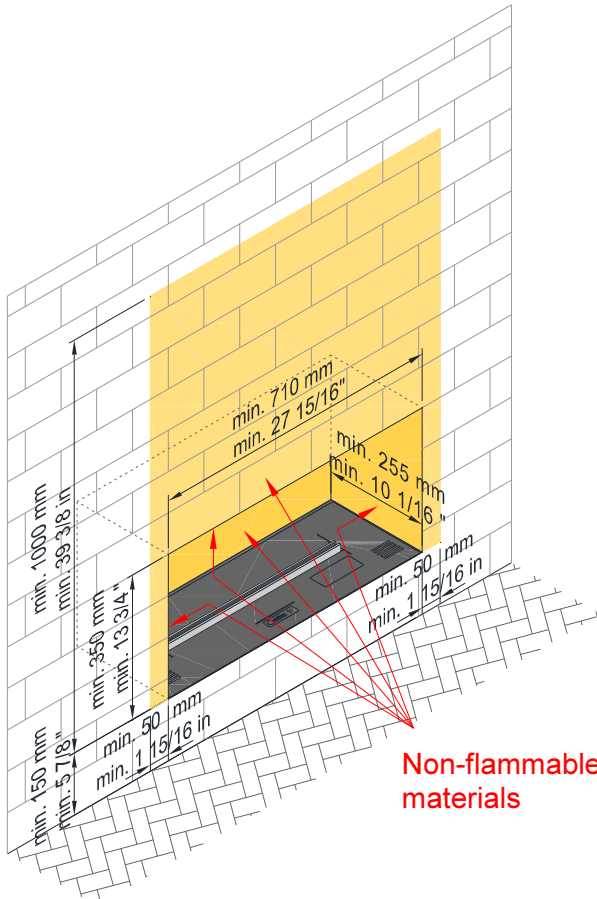


- Do not install the device in areas with a capacity of less than 58 m³ / 2.049 ft³ (22 m² / 240 ft² with a height of 2.6 m / 8.53 ft).
- While installing the device according to the instruction manual local and national guidelines are to be observed.
- Place the device on a levelled surface. The cavity for the fireplace has to be designed with the use of a spirit level.
- It is not permitted to use the fireplace that is not placed in a housing. The cavity has to be designed according to the guidelines and dimensions in the instruction manual. If the cavity has different dimensions it has to be adjusted in such a way that it complies with the guidelines stated in the installation manual.
- Do not obstruct the ventilation slots and/or ventilators.
- Do not place any decorative elements on the device.
- Do not install the device in areas of large drafts of air, near fans, vents, etc.
- Do not place in areas where there might be a potentially explosive atmosphere of paint vapours, industrial dusts, etc.
- No flammable items should be placed in direct contact and within a radius of 1 m / 3.28 ft around the device. Do not place near curtains, net curtains, etc.
- Do not expose the device to weather conditions. The product is for internal use only.
- Do not expose the device to meteorological conditions. The device is for indoor use only.
- Do not place the device in close proximity to sources of humidity.
- It is obligatory to have a carbon-dioxide (CO₂) or dry chemical extinguisher placed nearby the device.
- Installation of the device must provide an easy removal of the device for service.
- The room in which the device will be installed must have efficient ventilation to ensure air exchange in the room at least once per hour.
- Do not start the device before a complete and proper installation.
- Do not fill the fuel container before placing the product into its final position.
- In case of mounting more than one unit in the room, the minimal cubature is the sum of cubatures required for each unit.
- The recess, into which the fireplace will be mounted, has to have a load capacity of 22,5 kg (49,6lb).
- Device must be kept out of reach of children, animals and unauthorized persons.
- Do not install the device on a mobile object (eg. caravan, yacht).

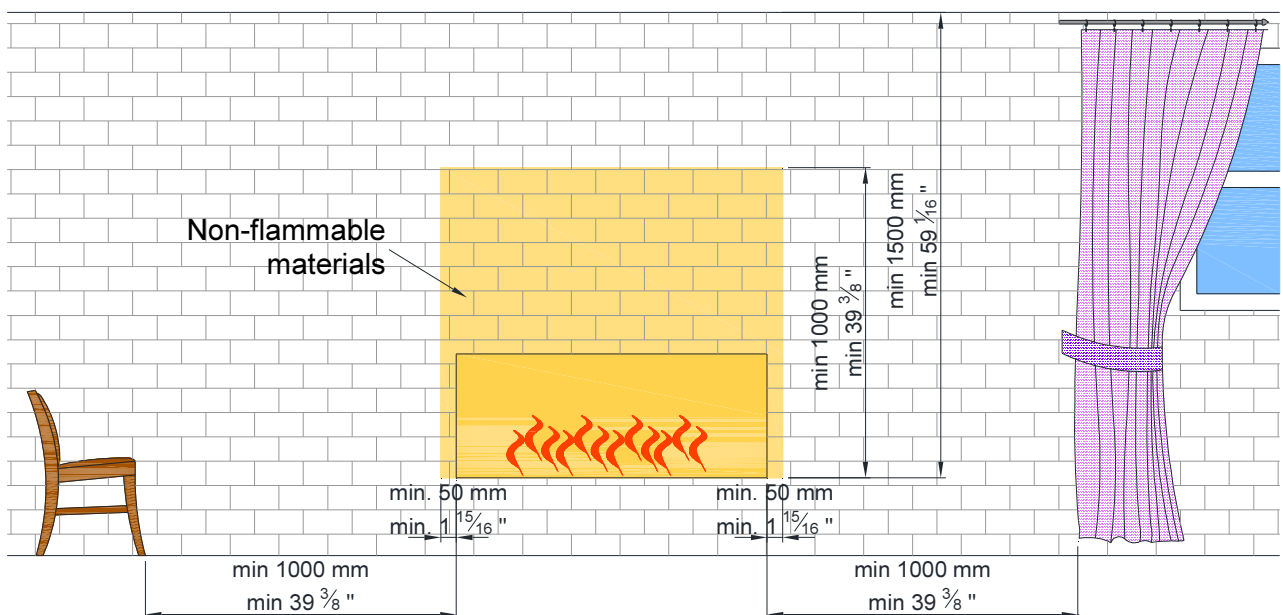
INSTALLATION

ATTENTION! If you have purchased the original steel casing for the device, please follow the instruction manual provided for the casing and skip the procedure described below.

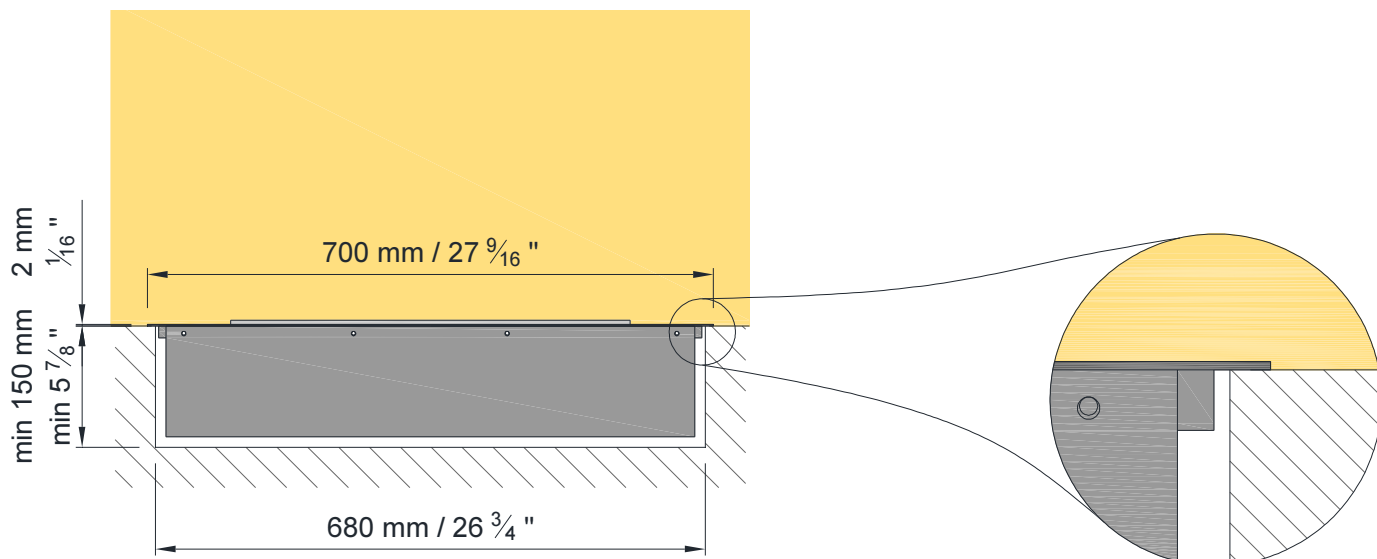
- Place the device in a housing that is closely connected to the construction of the building.
- The elements of construction over the furnace must be made of non-flammable materials.
- Recess, what will be done below the grate fireplace must be sealed.
- Supply the housing with a loose cable min. 3 x 0,75 mm², with power supply 230 V, 50 Hz, to connect the device to the mains.
- If there is going to be a cover over the furnace, it must be made of non-flammable materials and the minimum distance from the furnace must be kept - not less than 35 cm/ 13 ¾ in.
- It is not allowed to use a device before placing it into a prepared wall recess or other housing/cavity.



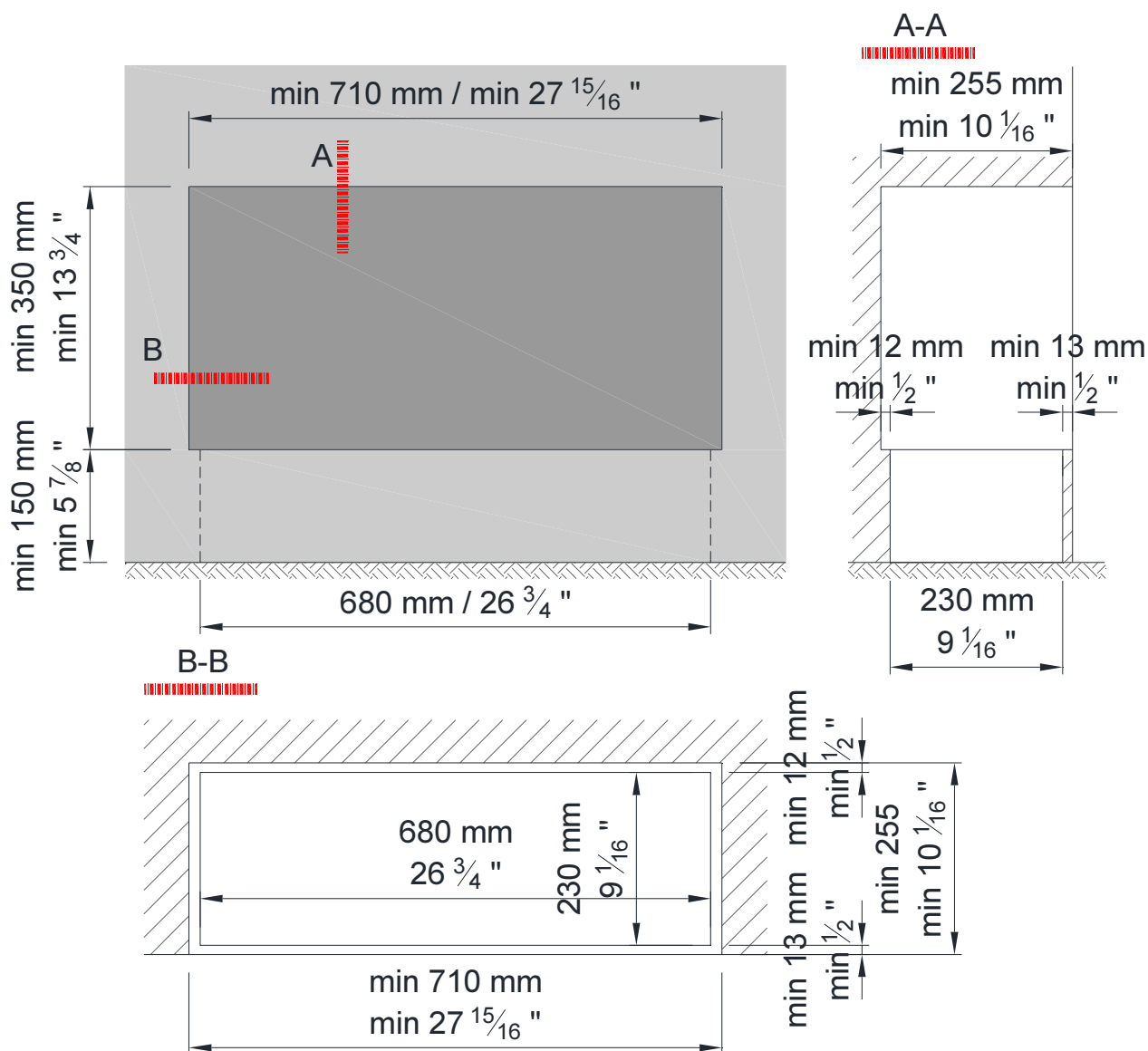
Due to fire safety, it is forbidden to place any flammable materials within a 1 m (40 inches) radius from the fireplace. Also, Planika does not recommend to place any heat sensitive materials or devices within this radius as it can significantly limit the materials properties and longevity. Planika will not take any responsibility for the damage of any materials or devices being installed above the fireplace.



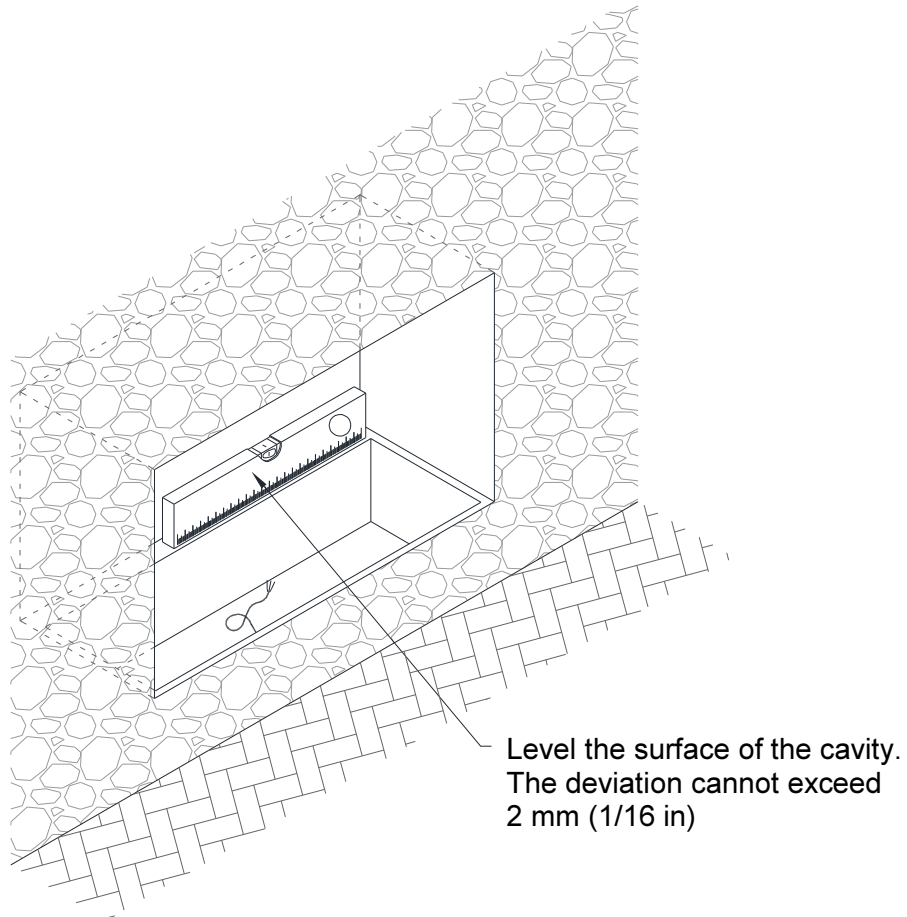
How to self-make the housing for the device.



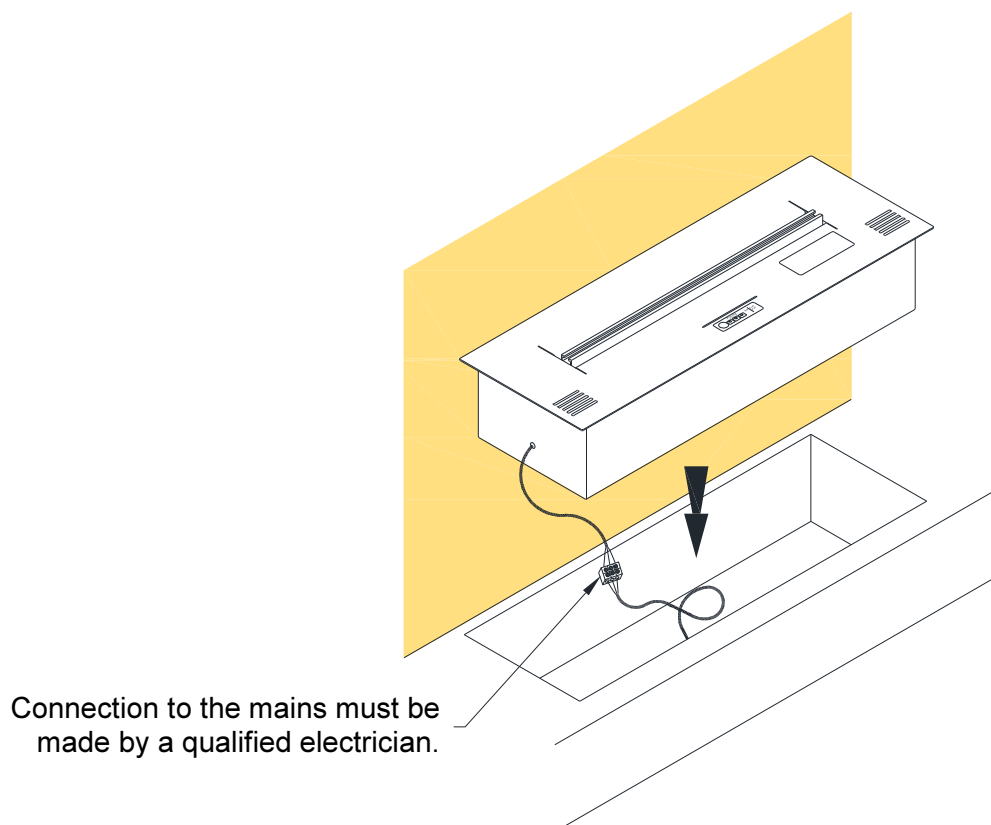
Make a cavity for the insert following the diagram below. Making the cavity make sure that the plane on which you are going to set the furnace insert is well levelled, as later it will not be possible to level the insert.




The difference in level between the ends of the furnace must not exceed 2 mm. Poor levelling may cause abnormal operation of the device and, in extreme cases, it can cause leaks of the Fanola® liquid and the danger of fire.



Then connect the supplied cable with a connection block at the end of the cord. Note that connection to the mains must be made by a qualified electrician. The furnace assembly "A" is connected to mains now. Set it in the prepared cavity.



WARNING !!!

- Make sure that the device has been correctly installed and read the attached instruction manual.
- You are not allowed to fill the fuel tank and start the device before having read the instruction manual.
- If in the future it is necessary to take the device out of the housing, wait until the fuel has burned-up completely and the display shows  , disconnect the power supply and take the device out of the housing.
- Keep this instruction manual throughout the lifetime of the device.